



Rainwater Harvesting Controller

PRODUCT DESCRIPTION

Dual source controller, specifically designed to source rainwater for water applications such as toilets and/or laundry, with automatic mains water back-up.

Also suitable for exterior taps.

APPLICATIONS

RainBank® is ideal for metropolitan rainwater harvesting on homes, toilet blocks and garden irrigation.

FEATURES & BENEFITS

- RainBank® automatically switches between rainwater and mains water supply, so there is no need for consumer intervention.
- Feedback lights to indicate water source and faults.
- Incorporates easily with new and existing buildings, for easy installation.
- Unique patented, yet uncomplicated technology, providing a dependable solution to rainwater harvesting.
- Environmentally friendly:
 - Saving water
 - Reduced inflow to stormwater systems
 - No re-pumping of mains water
 - Low power consumption in standby
- No solenoid valves used
- Provides seamless mains back-up in the event of no rainwater or electrical interruptions, for consumer convenience and comfort.
- Adaptable to existing pumps and rainwater tanks, to reduce waste and re-use existing resources.
- Built-in backflow protection valve (dual check valve) in compliance with the requirements of AS/NZS 3500-1-2003 for added safety and assured protection of your mains water supply.
- Can be mounted on pump or on nearby wall for easier installation and to suit a variety of applications.
- Simple to install with no adjustment necessary, saving time and money at installation.

OPERATING LIMITS

Max. flow rate (mains)	100 lpm
Max. flow rate (pump)	100 lpm
Max. Mains water pressure	900 kPa
Max. pump pressure	600 kPa
Max. pump amps	10 amps
Level switch voltage	12 volts DC
Max. water temperature continuous	50°C
Min. water temperature	1°C
Max. ambient temperature	50°C
Mains water inlet size	3/4" BSP(M)
Rainwater inlet size	1" BSP(M)
Outlet size	3/4" BSP(M)
Note:	
RainBank®/S model specifically designed for submersible pumps fitted with auto float switch.	



TECHNICAL SPECIFICATIONS

MATERIALS OF CONSTRUCTION

PART	MATERIAL
Dual check valve	
- Body	D.R. brass
- Valves	Acetal
- Springs	304 stainless steel
Source control valve	
- Body	Nylon
- Valves	Acetal
- Plunger	Grivory
- Diaphragm	Santoprene
- Springs	316 stainless steel
- Seal	Nitrile
Sensor plate	316 stainless steel
Enclosure	A.B.S.

ELECTRICAL DATA

Supply voltage	220-250V
Supply frequency	50Hz
Max. full load current	10A
Enclosure class	IP23
Power supply lead – incoming	2m
Level switch lead length:	
Side entry	5m
Top entry	9m

APPROVALS

Complies with electrical standards :

AS/NZS60335.2.41: 2004 Clause 24

Certificate of electrical suitability A/10E

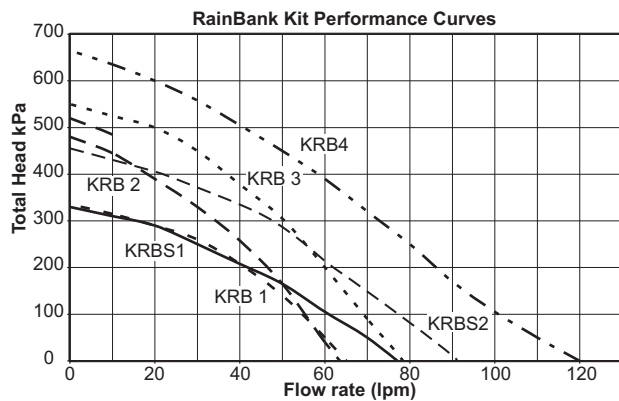
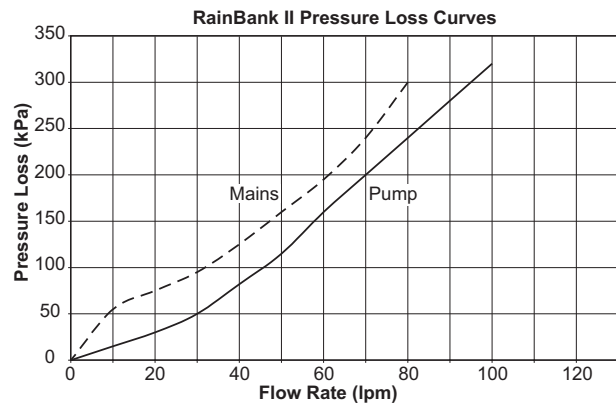
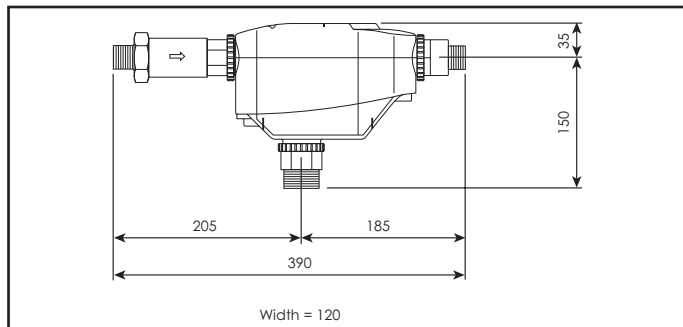
Complies with plumbing standards :

AS/NZS3500-1-2003 including provision of backflow protection when installed in compliance with product Installation & Operating Instructions.

Watermark License WMKA22042.

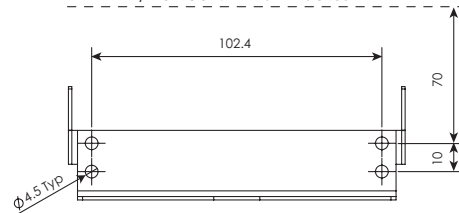
Must be installed by a licensed plumber.

DIMENSIONS & PERFORMANCE



OPTIONAL EXTRAS

P/No 13829 - Wall Bracket



All dimensions in mm unless otherwise stated.

This literature is not a complete guide to product usage. Further information is available from your Davey dealer, Davey Customer Service Centre and from the relevant product Installation and Operating Instructions. This data sheet must be read in conjunction with the relevant product Installation and Operating Instructions and all applicable statutory requirements. Product specifications may change without notice.

© Davey and RainBank are registered trademarks of Davey Water Products Pty Ltd. © Davey Water Products Pty Ltd 2009.



Visit Davey on-line for further information
davey.com.au

DEPEND ON
DAVEY

WATER PRODUCTS

Davey Water Products Pty Ltd
Member of the GUD Group
ABN 18 066 327 517

Head Office and Manufacturing
6 Lakeview Drive,
Scoresby, Australia 3179
Ph: +61 3 9730 9222
Fax: +61 3 9753 4100
Website: davey.com.au

Customer Service Centre
Ph: 1300 2 DAVEY (1300 232 839)
Fax: 1300 369 119
E-mail: sales@davey.com.au

Interstate Offices
Sydney • Brisbane • Adelaide
Perth • Townsville

International
6 Lakeview Drive,
Scoresby, Australia 3179
Ph: +61 3 9730 9121
Fax: +61 3 9753 4248
E-mail: export@davey.com.au

USA
Website: daveyusa.com
E-mail: export@davey.com.au

Davey Water Products – New Zealand

7 Rockridge Avenue,
Penrose, Auckland 1061
Ph: +64 9 570 9135
Fax: +64 9 527 7654
Website: daveynz.co.nz
E-mail: sales@daveynz.co.nz

Davey Spa – New Zealand

2 Rothwell Avenue,
North Harbour, Auckland 0632
Ph: +64 9 415 8622
Fax: +64 9 415 8621
Website: spa-quip.co.nz
E-mail: service@spa-quip.co.nz